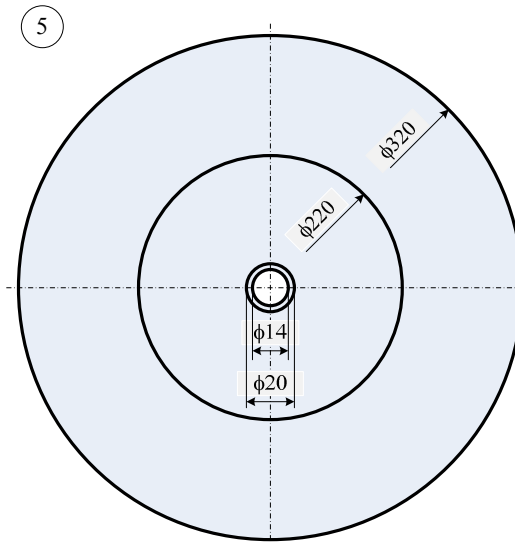
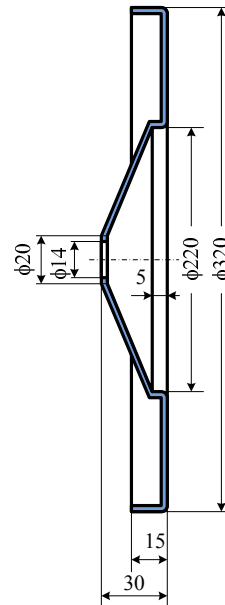
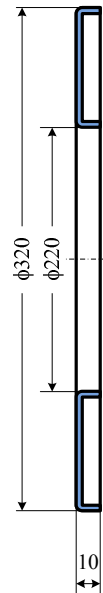
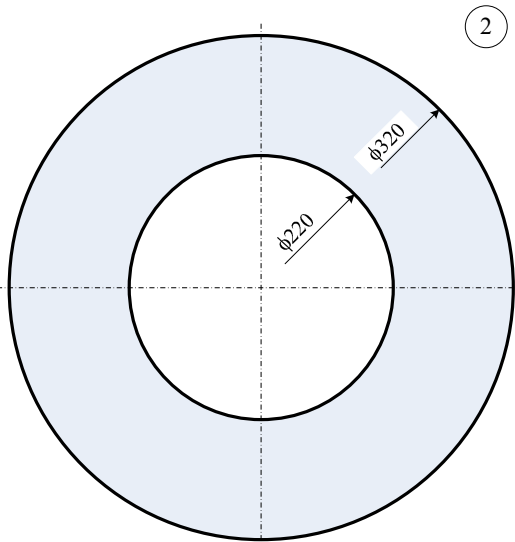


View A - A



No	Description	Qty	Materials	Remarks
5	Bottom Cover	1	Galvaniz	
4	Paper Colouless 5 mic	1	Paper	
3	Plate pervorated $\phi 5$	1	Galvaniz	
2	Top Cover	1	Galvaniz	
1	Seal $\phi 251 \times \phi 275 \times 10$	1	Spong	

TITLE :

### Filter Element

Part No : DF 220 - 320 - 750

Draw	Desgn	Check	Appr
Agus S		Darusman	
Date	15/11/14		
Scale	None		